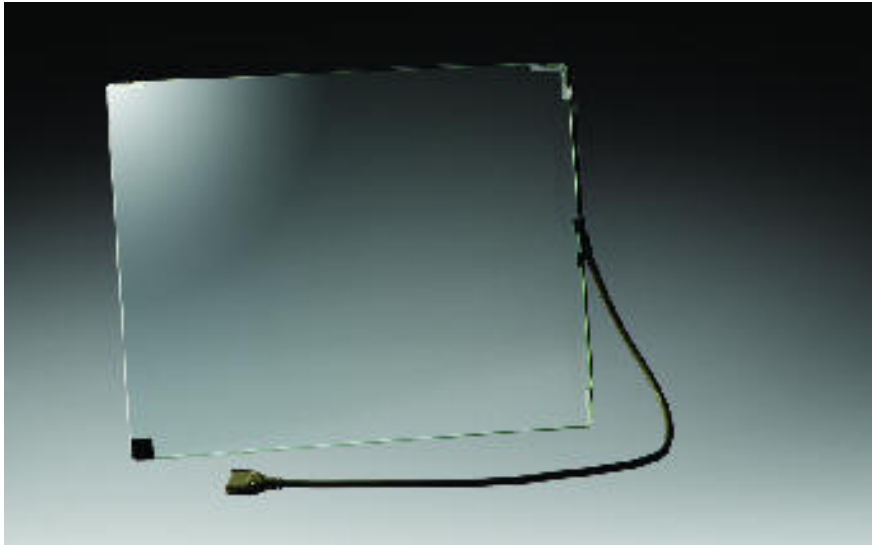


SCTL6B19SR (With ST6001S/ST6001U controller)

Touch System
Specifications
V1.0



Physical Parameter

Touch screen Dimensions(mm)	External Dimensions	426 × 347
	Display Area	386 × 307
	Active Area	380 × 302
	Thickness	6
	Ratio(Length Vs Width)	4: 3
Controller Dimensions(mm)	99(L) × 55(W) × 10.8(H)	
Material	Pure glass	
Safety	Strength conform to GB/T9963-1998	
Light Transmission	≥90%	
Surface Hardness	Mohs' hardness rating of 7	

Electrical Parameter

Supply Voltage and Current

- +12VDC, normal (+11V to +13VDC)
- 100mA, typical at +12VDC, Average power consumption is 1.2w , typical
- Supply must be capable of sourcing 200mA, minimum.
- Total noise and ripple requirement must be less than 50 mV (p-p) for frequencies above 1 MHz.

Interface

- EIA 232E (Serial RS-232), DCE configuration. 8 Data Bits, 1 Stop Bit, No Parity, Full Duplex
Baud rate: 9600 (ST6001S)
- USB 1.1 (ST6001U)

Touch Resolution

- 4096 × 4096

Conversion Time

- Approximately 10.4 ms per coordinate set (including transmitting time)

Touch Activation Force

- Touch force less than 80g (adjust allowed)

Environment Parameter

- Operating Temperature: screen: -20°C ~ +50°C, controller: 0°C ~ +65°C
- Storage Temperature: screen: -40°C ~ +70°C, controller: -20°C ~ +85°C

Humidity

- Operating: 10% to 90%, non-condensing
- Storage: 10% to 90%, non-condensing

Operation Altitude

- 3000m

Reliability

- MTBF is greater than 300,000 hours per MIL-HDBK-217-F2 using the parts stress calculation method for ground benign environment with an ambient temperature of 25°C.

ESD

- Per EN 61000-4-2: Contact discharge 4kV, air discharge 8KV.

Flammability

- The printed circuit board substrate is rated with 94V0.

Agency Approval

- CE, FCC, UL

ROHS Declaration

- The touch system including ST6001S/ST6001U controller, SCTL3B17R-028403 and connection thread SCCS175C/SCCU175B02 is ROHS compliant.

CONTROLLER

Now the TouchScreen controllers of GeneralTouch company is ST6001S/ST6001U

Physical Characteristics

Construction

Multi-layer surface-mount design with internal ground plane for EMI suppression

-Dimensions

Total Width: 55mm

Total Length: 99 mm

Total height: 10.8mm (Including connectors)

Appendix :
Fig. 1:SCTL6B19SR

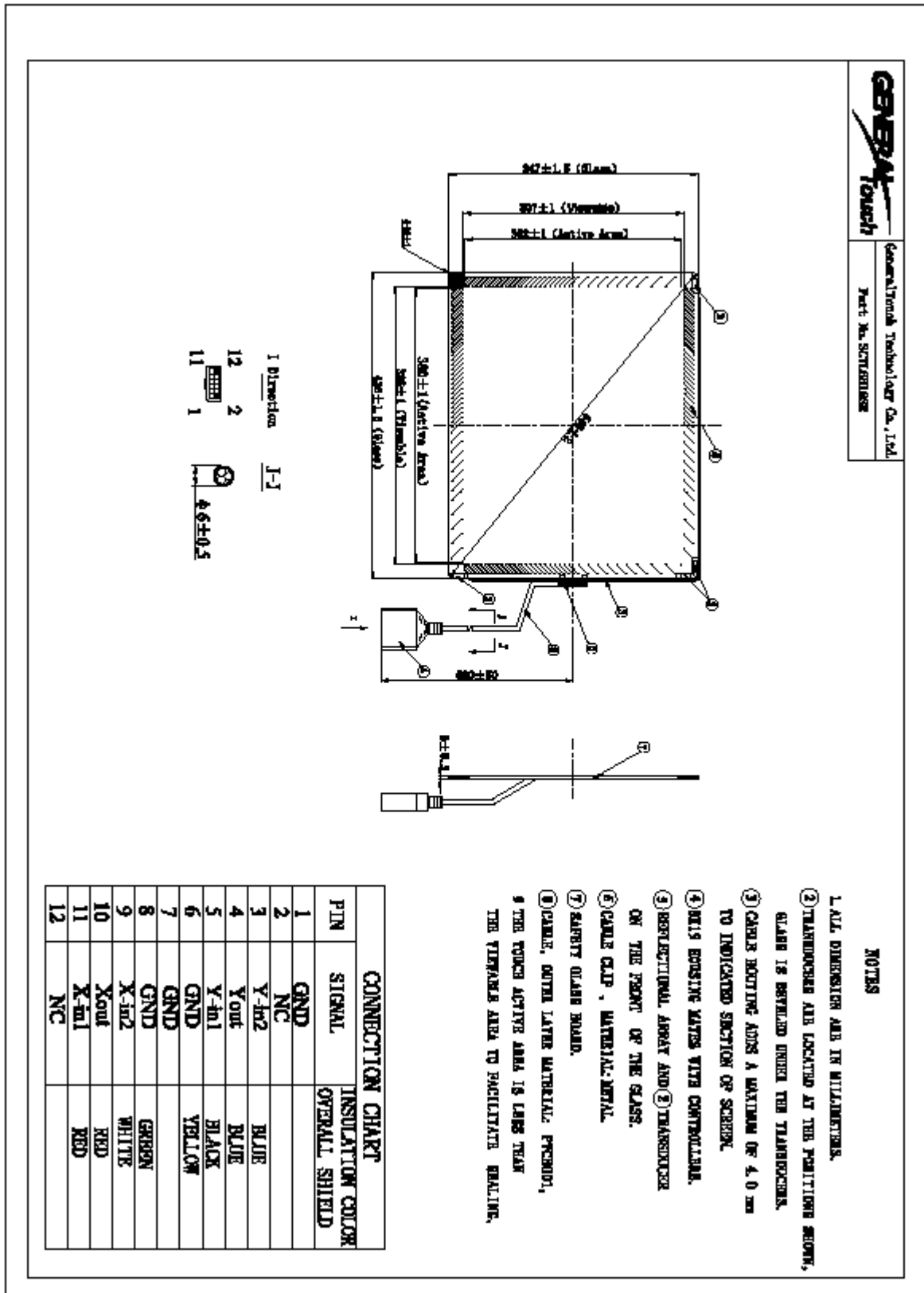
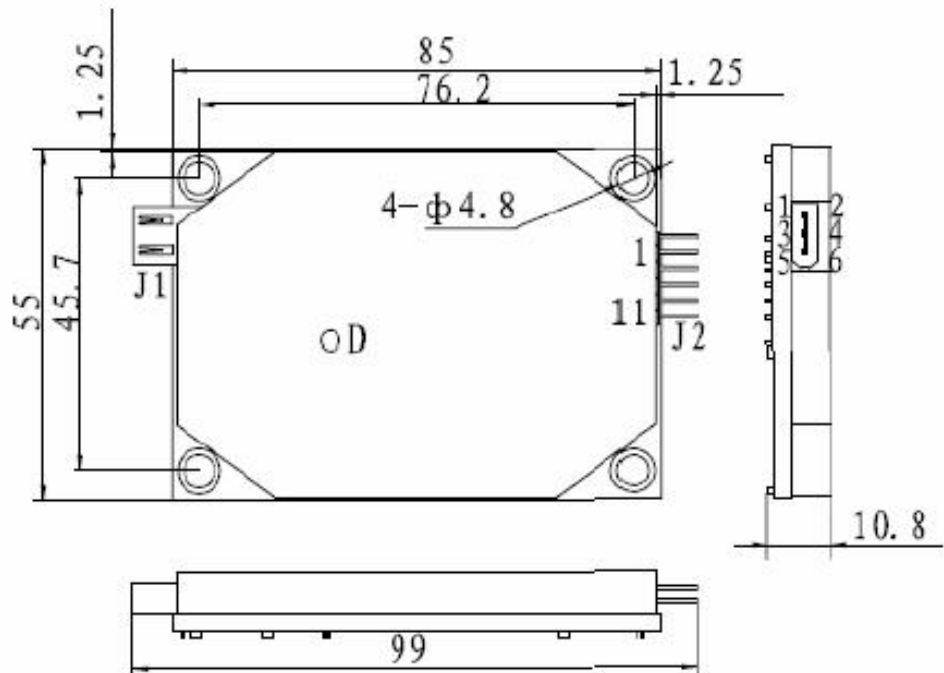
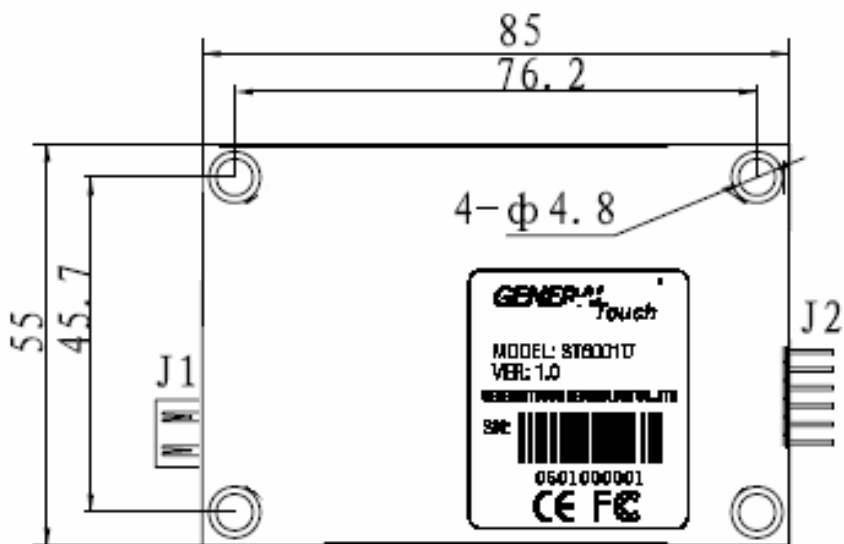


Fig. 2: ST6001S\ST6001U Series External Dimensions



Top and side view



Bottom view

Controller Port

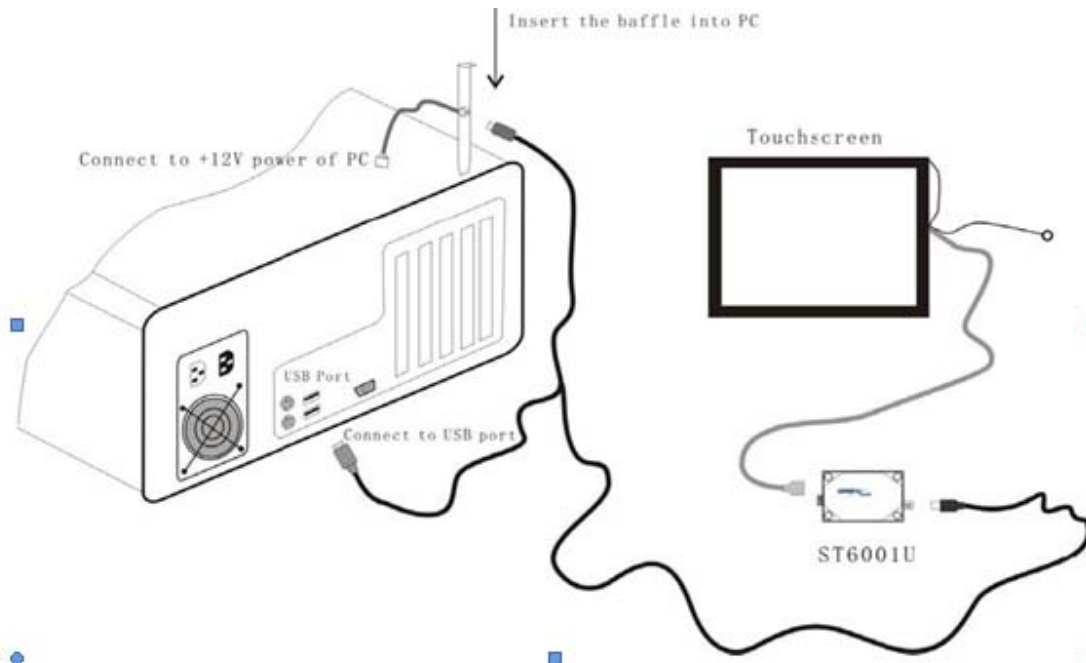
JI (ST6001S)			
1	NC	4	NC
2	RXD	5	GND
3	TXD	6	+12V

Note: The communication signal definition stands on the side of PC

JI (ST6001U)			
1	D+	4	NC
2	NC	5	GND
3	D-	6	+12V

Note: The communication signal definition stands on the side of PC

Fig. 3: Connect to the computer



Operation platform

Windows98/ME

Windows 2000/XP

You can get these drivers in the driver CD, or download from our website:

www.generaltouch.com